

# Test Report

## for GPS L1/ GLONASS L1 ANTI-JAMMING AVIATION ANTENNA



Model: **HXAT00GGAIV40A**

**Chengdu HAIXIN MICROWAVE Technology Co., Ltd**

Add: Chengdu 610091, China

Tel: +86-28-87089208

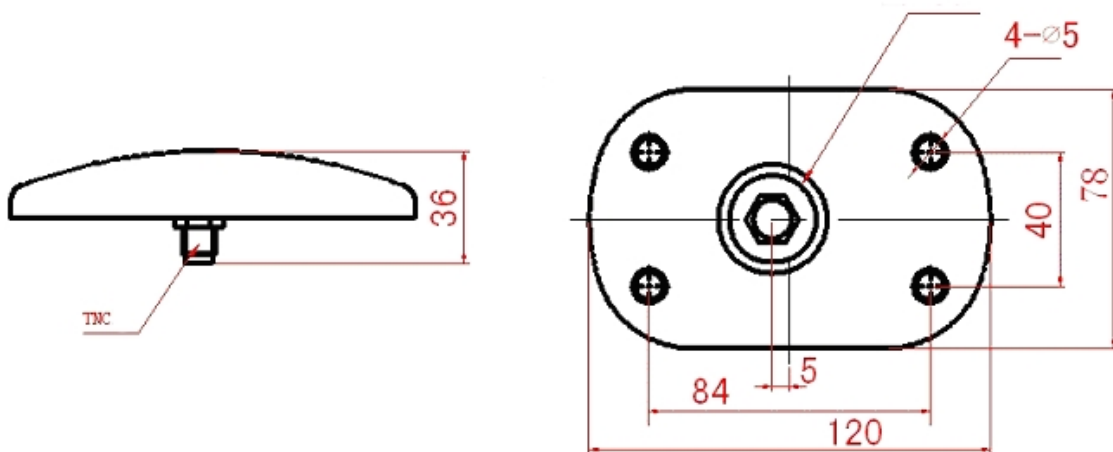
Website: [www.hxmicrowave.com](http://www.hxmicrowave.com)

Fax: +86-28-87089208

Email: [sale@hxmicrowave.com](mailto:sale@hxmicrowave.com)

## Specification

1. Frequency: GPS L1:1575.42MHz±5MHz  
GLONASS L1:1602MHz±8MHz
2. Pattern:  
Azimuth: Omnidirectional  
Elevation: Hemispherical
3. LNA Gain: 36dB±2dB
4. REJECTION:>30dB@1200MHz~1450MHz
5. Polarization: Right-hand circular
6. AR: ≤3dB
7. Noise: ≤2dB
8. Impedance : 50 Ω
9. VSWR : ≤2:1
10. Power requirements: Voltage: 3~5VDC  
Current: ≤40mA
11. Connector: TNC female
12. Operating Temperature : -40℃~+85℃
13. Store Temperature : -55℃~+85℃
14. Weight: ≈ 250 g
15. Size: 120mm×78mm×36mm



## Test Instruments

Agilent 83630B  
HP8563E  
HP8720D

## Chengdu HAXIN MICROWAVE Technology Co., Ltd

Add: Chengdu 610091, China  
Tel: +86-28-87089208  
Website: www.hxmicrowave.com

Fax: +86-28-87089208

Email: sale@hxmicrowave.com



## Test Results

### 1. Gain

Frequency (GHz)	Gain (dBi)
1.575	41.5
1.602	41

### 2. Pattern

**Chengdu HAXIN MICROWAVE Technology Co., Ltd**

Add: Chengdu 610091, China

Tel: +86-28-87089208

Website: [www.hxmicrowave.com](http://www.hxmicrowave.com)

Fax: +86-28-87089208

Email: [sale@hxmicrowave.com](mailto:sale@hxmicrowave.com)